

KAYENTA TODAY

THE NEWSPAPER OF THE KAYENTA TOWNSHIP AND COMMUNITY

MAY 2007

VISIT US ON THE WEB KAYENTATOWNSHIP.COM



What's Inside



Page
2

Town Managers Report



Page
3

**Airplane Crashes at
the Kayenta Airport**



Page
5

**Navajo Nation Law
Enforcement Memorial**



Page
7

**MVHS Runner Signs
with NAU**

TOWN MANAGERS REPORT

By Daniel Peaches

It is rather ironic that the Navajo Nation succeeded in 2005 to remove the BIA's role in business leasing process to shorten the time it takes to get a business lease, only to replace BIA's former role with the Tribe's own Department of Justice's role and the Economic Development's Committee's attempt at controlling all business leases. Rather than free up the bothersome lengthy lease approval process, the new efforts to centralize such process in Window Rock may result in even more lengthy leasing process which will result in more Navajos going off reservation for employment and other opportunities. Also more reservation bound Navajo Entrepreneurs will bypass the business leasing process by engaging in home based marketing or selling by the roadside. It is estimated that \$23 million is made annually by these home based businesses.

Large communities such as Shiprock, Crownpoint, Fort Defiance, St. Michaels, Chinle, and Tuba City should be allowed their own Master Lease authorities to develop their own communities. With Master Leases, there would be no need to involved Window Rock in local economic development decisions. All towns and cities outside of the Navajo Nation have their own local government to control their local community growth with local ordinances, not state laws or regulations. This is called Home Rule. Kayenta Township is the only community given this Home Rule status by the Navajo Nation Government in 2003.

The rationale and the reason for home rule status is simple. There is very little economic development across the 16 million acres land of the Navajo Nation, despite the millions of dollars expanded to develop the economy to support the close to 200,000 people residing within the Navajo Nation. Economic development perse is just a plan to develop an economy. It is a government function and all activities of economic development are government control. It is like building a vehicle without an engine. This economic development planning has been going on since the 1950's when the population was around 50,000.

The only major source of employment is the public sector and the ratio is something like 75% to 20%. The 75% consists of employment generated by such public entities as Federal Government, Tribal Government, schools and utilities and the 25% are from the private sector such as local businesses and self-employment.

In order to increase economic activities, it is necessary to increase the private sector's opportunities to attract more businesses such as clothing stores, shops, automotive services, parts stores, grocery stores, laundromats, barbershops, hair salons, and so forth. The reason why the private sector is not taking hold is because of too much government control, be it tribal government or the trust status of the land.

Off the reservation majority of economic activities are through the private sector whereby the banks play a major role in providing the necessary capital to develop more goods and services through the establishment of retail outlets. The role of government, whether it be state, federal, or local town government is very minimal. Off reservation, the public sector is only about 10% or less and the private sector is 80% or more. Most of the decisions are made by the individuals and the local banks.

By giving the larger communities on the Navajo Nation a master lease authorities, most of the economic planning will be done at the local level and not at Window Rock. Most outside businesses that want to locate on the reservation back out because of centralized authority in Window Rock and the many restrictions and conditions placed on these businesses such as Navajo preference laws and the lengthy lease approval process.

Right now, car dealers cannot locate on the reservation because of Navajo Laws restrictions. The proposed casinos cannot be established on the Navajo reservation because of multiple construction contract requirements which make investment on the reservation practically impossible. If leasing authorities were delegated to the local level through master leasing

authority, then such decisions can be made quicker at the local level.

If the proposed plan to place all business leasing authority under the Economic Development Committee without a provision for delegating such authority to the local level, then private sector economic development at the local level will not reverse the present centralized process.

At the present time, of every dollar generated on the Navajo Nation, approximately 75% are spent in border towns and only 25% of it is spent on the reservation. The money generated on the reservation through employment on the reservation goes to support border town communities such as Gallup, Farmington, Cortez, Durango, Flagstaff, Page and even Phoenix and Albuquerque. 99.9% of all vehicles purchased are off the reservation in border towns. These dollars drain, brain drain can only be reversed if private sector development is allowed and encouraged by the Navajo Government. Kayenta Township is the only community on the Navajo Nation that utilizes its tax revenue to develop its own local economy to support the local residents.

In addition to a local tax base, the local community infrastructure must be developed to encourage economic development by private sector investment in the communities. Utilities such as power, water, housing, and facilities must be available in order to attract outside investors to develop the private sector economy on the reservation.

There are little or no local industries to bring dollars from the outside into the local economy such as raw materials or manufacturing plants. Navajo Sawmill at Navajo, New Mexico was the only manufactur was the only manufacturing plant and it was closed down some 20 or more years ago because of environmental issues/concerns. NAPI is the only manufacturing plant in existence today. There was a clothing industry in Aneth but it may have been closed. A lot of consumer products sold in American stores are made in other countries such as Mexico, China and India.

Industries that can use Navajo labors should be planned and developed to generate employment. More manufacturing are needed to bring dollars into the reservation economy.

Kayenta Township's priorities are in the area of upgrading the existing infrastructures as well as plan and develop new infrastructures in order to attract outside business to locate in Kayenta. Once the infrastructure is upgraded, street improvement programs will allow for better access within the community and reduce traffic congestion near the public schools and town's rodeo arena.

Several attempts were made by the Township for comprehensive community development plans; therefore the third objective is to address this need. A well planned community attracts business and investment as well more tourism for the area.

Three members of the Township staff have just completed second three day training in affordable housing in Phoenix last week. Agenda for this training is attached. Affordable housing is a national concern and it is an issue here on the Navajo Nation as well. The present method of using federal funds for housing construction has no provisions for cost controls and it is our hope that through training like these our staff can better control costs, not just in housing but in other building projects.

Starting the latter part of this month, our staff will work more closely with our three council delegates in preparing for the development of legislation with respect to Navajo Business Lease Management Plan and other legislation that will affect business leasing procedures for the Township. This will also include some meetings with the standing committees so that there is no miscommunication or misunderstanding.

Also this month will be dedicated to preparing next year's budget and there will be staff meetings to address these. One of the issues is whether to hire an engineer or to hire a firm with different engineers on board. This will also be discussed with the commissioners in a work session setting.

Plane Crashes at Kayenta Airport



May 2, 2007 - Kayenta
 Around 2:30PM DST a single engine aircraft crash landed in Kayenta. The pilot was traveling from Grand Junction, Colorado when he began to experience loss of control of the aircraft tail about 70 miles east of Kayenta. The pilot steered the aircraft by tilting his wings side to side and tried to make an emergency

landing at the Kayenta Airport. The plane crash landed about 500 yards short of the runway. When emergency personnel arrived, the pilot was standing outside the aircraft. The pilot was cut, scratched, and conscious and transported to the Kayenta Clinic for treatment. The crash is currently being investigated.

Culture Day at Betatakin Navajo National Monument

May 31, 2007
 8:00a.m. - 9:00p.m.

Schedule of Activities

- 8:00 a.m.
Trail Ride on horse back from Shonto Trading Post to Betatakin
- 2:00 p.m.
Opening Ceremony at Visitor Center (Veterans-Color Guards-National Anthem)
- 2:30 p.m.
Welcome address (National Park Service and Shonto Governance.)
- 3:00 p.m.
Miss Navajo community address and school ambassadors or royalties
- 4:15 p.m.
Entertainment (Flute player, Drums, Dancing). Open for more at this time.
- 6:00pm.
KTNN AM 660 & Drums of Summer
- 9:00p.m.
End of Culture Day, Please drive home safe.

For more information please call Curlinda Holiday 928-672-2720

Navajo National Monument is co-hosting with community partners a Culture Day and Betatakin Drums of Summer on Thursday May 31, 2007. We would like to respectfully invite everyone to come out and enjoy this day in tribute to the rich culture of our local area.

The Culture Day is an all day event starting with a trail ride in the morning from the old Shonto Trading Post and ending near the park at Betatakin. In the afternoon festivities continue with a community and local business gathering and celebration of the local culture and our veterans with special guest speakers at the visitor center of Navajo National Monument. We have a full afternoon of activities including traditional dancing, singing, drumming, and flute playing. The evening program features KTNN AM 660 "Drums of Summer" broadcasting live from the park and includes special host drum

group, the Black Creek Singers, as well as all invited drum groups. Parking at Betatakin is limited and carpools are appreciated. The Sunset Campground will be closed for overnight camping on May 30th and 31st. We have a small second campground (16 sites) with several group sites at the Canyon View Campground which is available for overnight camping and charcoal grill cook outs. Camping is on a first come, first served basis. Shonto Governance Office and the Western National Parks Association have contributed generously and the National Park Service would like to thank them in advance for supporting this first community celebration of our Native American heritage. If you have any questions please contact Curlinda Holiday at 928-672-2720. We look forward to seeing you all there. Thank you for taking part in our first special event!

Opinion

Opinions herein do not necessarily reflect the views and opinions of the Kayenta Township, it's employees and Commissioners.

Bomb Threats and Lockdowns

Wow, our children survived the month of April, matter a fact, the whole year at the Kayenta Middle School. First the students started out the year fighting for their rights to say the Pledge of Allegiance in Navajo. It is a given right for the students to recite the Pledge in Navajo. We need to encourage our children to speak, read and write our own native tongue. Let us not forget, our loved ones fought the war of World War II using our language, so let us not give the benefit of others to say no to our children.

Second, a supplemental program called Voyager U was placed as a core Reading Program. This is a program that's supposed to be a supplement program and not to be used as a core program. A Supplemental Program means that it's just to help support the reading program. A Core Program means that it is the central foundation that shapes the components of Reading. Voyager U is being emphasized as being the Reading Program at KMS.

Here is a thought, are we allowing the KMS principal who is giving our children a second hand education with the Voyager U Reading Program? This has created more problems in giving students limited access to computer usage, this is one reason that's why most of our children have D's and F's in this reading program, except for students that have internet access. Aren't we, The Navajo Nation striving for a better future, which means teaching our children to use technology.

The week of A.I.M.S., the Middle School had two bomb threats, there was no communication with parents on what the consequences were, but inside the Middle School, our poor babies being verbally abused and threaten over the intercom "You have to stay with your teacher. If you leave your teacher, you will go

to jail." was stated by Mrs. Marty Gilmore.

I thought that school was supposed to be a safe environment for our children. Students were also informed that all extra curricular activities and end of the year events have been withdrawn, again no parental communication or input. This decision was made by the KMS principal, which stirred up more concerns of the parents.

The following week, another bomb threat, the principal of KMS became furious with the whole student body. Without communication with staff and Parents, everything was cancelled. Another decision made by her. "Whoa, wrong move, way wrong move" are what furious parents were saying. With many concerns, parents wanted to visit the middle school to see the Principal Mrs. Gilmore. Before parents arrived she used a school emergency code "soft lock down" to limit parents entering and exiting the Middle School, for what reasons, possible for her own protection.

If you read the Crisis Management Plan, it states that "a soft lock down" is used if there is a threaten situation within a building, then all school building will be in a "soft lock down". Only one school was in a soft lock down. The other schools were not, leaving the other three schools in an unsafe environment. What does that tell you? Emergency Codes should only be used for emergency purposes only. Again, with a "soft lock down" the parents were concerned even more with more questions.

Coming to her rescue, Dr. Martinez School Superintendent, in hopes to put out the fire for Mrs. Gilmore, but naa, builds an even bigger fire. Parents voicing their opinions, but being caught off, questions answered with direct pointing of the finger alone with negative remarks made by both Administrators. The parents are not allowing administrator the upper hands and returning the same disrespectful and unprofessional conduct being given.

Even worst, only supporters of the two Administrators were aloud to voice there opinions. In between all this, two staff members standing up for the rights of the students, one losing his job, "due to budget cuts?" hum..... so they say and one staff almost losing her job. Regardless of what position you hold at KUSD #27, staff members, YOU are parents FIRST, then staff.

We are encouraged to educate our children but yet the Administrators are building fine lines between the parents and community. Administrators are teaming up with favorite staffs. Unfavorable staffs, who are speaking up for our children, are left alone with students, and then the Administrators and favorite staff are working against unfavorable staff, students and parents. The staffs are pressured to stay quite even after their work hours come to an end.

Next, doing away with sports, come on!!!! That's a stress reliever for some students and most importantly, this is the key to some students that are average in academic but can still play sports well, that's there ride to

college and for a safe school zone, not with this kind of administration, there the threat to our children.

Lastly, for parent information, here is a list of qualifications that a Principal has to have. You be the judge.

1. *Valid State of Arizona Administrative Certificate.*
2. *Master's Degree in Education*
3. *Three years successful teaching experience, middle school level required*
4. *Commitment to improving achievement and ability to plan and implement strategies for school improvement*
5. *Visionary leader with strong communication skills*
6. *Expertise in instructional uses of technology and interest in expanding the use of education technology in classroom settings*
7. *Proficient in developing long range staff development plans with follow up to increase staff capacity for growth and change*
8. *Advocate of parental involvement*
9. *Competent problem solver*

Joanne Benally and Fredrikka John
Kayenta, AZ

New Bus Driver Training June 4 - 15, 2007

Two weeks Intensive training on AZ Minimum Standards and hands on training for new bus driver certification. Upon completion of the course, the participant will receive a certificate of Training for the hours of Classroom Training.

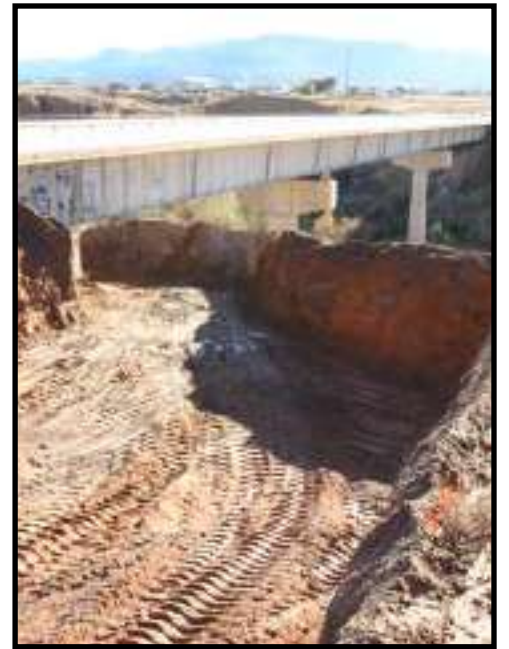
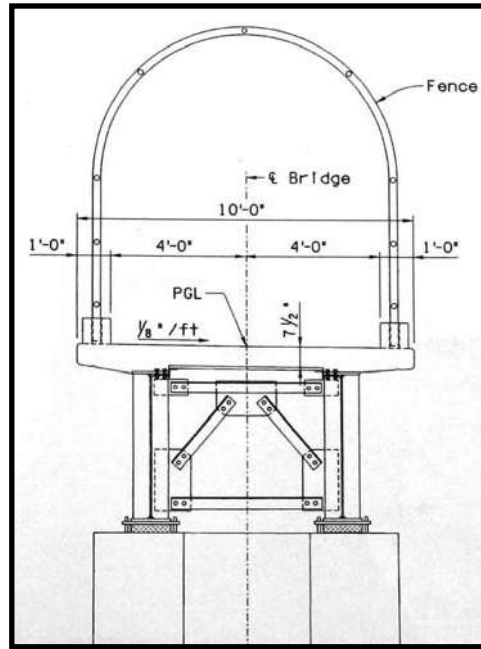
The training will also include review of Class B Commercial Driver's License and the required Endorsements for bus driver certification. Class begins at 8:00 a.m. every morning and concludes at 5:00 p.m. each day. The fee for the training is \$40.00 per person.

For more information call (928) 697-2121

Kayenta Unified School District #27, Transportation Department



PEDESTRIAN BRIDGE NOW OPEN



In November 2005, ADOT began construction on a new pedestrian bridge on highway 163. The new bridge was dedicated on May 12, 2007. The new pedestrian bridge runs parallel with the existing bridge crossing Laguna Creek northeast of Kayenta.

The new bridge is fenced caged for safety, ten feet wide and spans over four hundred feet across Laguna Creek. A new sidewalk was also added and connects to the existing

sidewalk along highway 163, approximately half a mile west of Laguna Creek.


Completion of the pedestrian bridge was estimated for June or July of 2006. But due to the rising costs of materials the completion date was held up for nearly a year.

The addition of the new pedestrian bridge provides the community of Kayenta with a safe method of crossing Laguna Creek.




The Hampton Inn of Kayenta


Shop the Kayenta Trading Company



Dine in the Reuben Heflin Restaurant



Call (928) 697-3170 for Reservations and Information



Local Volunteers Erect Police Monument at Kayenta Veterans Memorial Park



On April 30 a group of Kayenta volunteers erected the Navajo Nation Law Enforcement Memorial. The memorial is to remember those who have fallen in the line of duty.

Remembered are the following:

- Burton Begay - Tuba City**
- Loren Whitehat - Kayenta**
- Roy Lee Stanley - Kayenta**
- Andy Begay - Kayenta**
- Hoskie Gene JR. - Kayenta**
- Samuel Redhouse - Crownpoint**
- Esther Todecheene - Kayenta**

Kayenta 4th of July Rodeo July 04-07, 2007

On behalf of the Kayenta Township and Kayenta Chapter, the Kayenta Rodeo Task Force, Inc would like to personally invite you the 2007 Kayenta 4th of July Rodeo on July 04, 2007 to July 07, 2007.

This year's rodeo will be even more exciting, not only because of the many activities during this four day event but the addition of TWO FIREWORKS DISPLAYS on July 04, 2007 and July 07, 2007. There is a Parade on July 04, 2007, Free BBQ on July 05, 2007, Western Dances from July 04, 2007 to July 07, 2007, Junior Rodeo on July 04, 2007, and a POW-WOW on July 06, 2007 to July 07, 2007.

The All Indian Rodeo will run from July 04, 2007 to July 07, 2007. This will be a Long Go and Short Go round format. The Long Go Round is from July 04, 2007 to July 06, 2007, and the Short Go Round will be on July 07, 2007. We will be bringing back the TOP 10 ON July 07, 2007. All rodeo performance(s) will be at 7:30 p.m. except on July 04, 2007, the rodeo performance will start at 8:00 p.m. The rodeo slack will be July 06, 2007 and it will start at 8:00 a.m.

Each event champions will receive a saddle and the All Around Champion will receive a Three Horse Slant Trailer. The All Around Trailer will be sponsored by Kayenta Burger King and Kayenta Hampton Inn. The added purse for each event will be \$1000.00. This rodeo will be sanctioned by NNRCA.

The Kayenta 4th of July Rodeo has been awarded Rodeo of the Year for the past four years and attributes this honor to the fine organization from its committee members and meticulous coordination of the rodeo. Local and key sponsors such as the Kayenta Township, Kayenta Chapter, Kayenta Wells Fargo Bank, Kayenta Family Chiropractic, Holiday Inn, Burger King, Hampton Inn, as well as other sponsors have made this rodeo a big success.



Kayenta 4th of July Rodeo

4 Time N.N.R.C.A. Rodeo of the Year

Four Night Performances

Wednesday July 4th, 2007 8:00 pm
 Thursday July 5th, 2007 7:30 pm
 Friday July 6th, 2007 7:30 pm
 Friday Morning - Slack 8:00 am
 Saturday July 7th, 2007 7:30 pm
 (Short Go) Final Performance

I.J.R.A. RODEO

July 4th 2007 • 8:00 A.M. Sharp
 Kayenta Rodeo Grounds

CES: Alfreda Bates & Jackson Craig
 (602) 456-1439
 Walk In
 July 3, 2007 From 10:00 a.m. to 6:00 p.m.
 Money must be in by July 3, 2007 6:00 p.m.
 Saddles To High Point Winner to Cowboy & Cowgirl

NNRCA REGIONAL RODEO

Events	Limit	Entry Fee	Added Money
Bareback	30	\$15.00	\$1000.00
Saddle Bronc	30	\$15.00	\$1000.00
Bullriding	60	\$15.00	\$1000.00
Calf Roping	No Limit	\$15.00	\$1000.00
Steer Wrestling	No Limit	\$15.00	\$1000.00
Team Roping	No Limit(2x)	\$230.00	\$2000.00
Barrel Racing	No Limit	\$15.00	\$1000.00
Break Away	No Limit	\$15.00	\$1000.00

Rodeo Stock fee included in entry fee.
 Bareback & Saddle Bronc event: If less than 15 entries, a TWO (2) GO ROUND FORMAT will be implemented.
 If necessary slack on Friday July 6, 2007 Steer Wrestling, Team Roping, Break away, Calf Roping and Barrel Racing.
Saddles will be awarded to event champions

Long & Short Go

Top Ten
 Top Ten
 Top Ten
 Top Ten
 Top Ten
 Top Ten
 Top Ten

GO ROUND FORMAT

Rodeo Stock fee included in entry fee.
 Bareback & Saddle Bronc event: If less than 15 entries, a TWO (2) GO ROUND FORMAT will be implemented.
 If necessary slack on Friday July 6, 2007 Steer Wrestling, Team Roping, Break away, Calf Roping and Barrel Racing.
Saddles will be awarded to event champions

ALL AROUND AWARD - 3 Horse Slant Trailer

Sponsored by Kayenta Burger King / Kayenta Hampton Inn

Trophy Saddles for each event champion

Rough Stock Call In: June 25, 2007 6:00 p.m. to 10:00 p.m.
 Timed Event Call In: June 26, 2007 6:00 p.m. to 10:00 p.m.
 Call Backs: June 27, 2007 6:00 p.m. to 10:00 p.m.
 Stock Contractor: Casper Baca Rodeo Company - Rough Stock
 Willie's Cattle Company - Timed Event
 CES Rodeo Secretary: Brenda Harvey (970) 565-2553

Walk In Entry: Sunday, July 01, 2007 8:00 a.m. to 12:00 p.m.
 (Kayenta Holiday Inn Lobby)

COUNTRY DANCES

Kayenta Field House
 9:00 p.m. to 1:00 a.m.
 Wednesday July 4th, - STONE COUNTRY
 Thursday July 5th, STONE COUNTRY
 Friday July 6th - 90/10 Dirt Road Band
 Saturday July 7th - Stone Country

POW-WOW

July 6 & 7, 2007 • 8:00 a.m. • SAC Gym

Holiday Inn

HOTEL RATES FOR CONTESTANTS \$89.00+Tax
 Contestant Will Need To Show Proof for Rates
 Kayenta Holiday Inn Official Rodeo Headquarter
 For Reservations Call: (928) 697-3221
 For More Information:
 Call JJ Young at (928) 697-2150 (W) (928) 697-4856 (H)

FIREWORKS DISPLAY

Kayenta Rodeo Grounds
 July 4th 2007 • 10:00 p.m.
 Proudly Sponsored By: Kayenta Township & Kayenta Chapter
 July 7th, 2007 • 10:00 p.m.
 Proudly Sponsored By: Kayenta Rodeo Task Force Inc.

GOLF TOURNAMENT

17th Tohdenashai Shelter Home Golf Tournament
 Page, Arizona (928) 645-2023

PARADE

July 4th, 2007 • 10:00 a.m. • Starting from Kayenta Fire Dept.

JUST MOVE IT

July 4th, 2007 • 6:00 p.m. • Bashas Parking Lot

FREE B-B-Q

July 5th, 2007 • 5:00 p.m.
 Kayenta Rodeo Grounds
 Info: Johnny Hollister (928) 697-2234

KAYENTARODEO.COM

Rodeo Sponsors Will Not Be Held Liable For any Damages, Accidents, or Theft That Occur Before, During and after the Rodeo.

Local Athlete Signs with NAU Track Program

KAYENTA- Kayenta-Monument Valley High School track star, Talia Jones, recently signed her letter of intent with Northern Arizona University. After receiving offers from several Division I Universities, such as Pepperdine University in California and even the United State Naval Academy in Annapolis, Maryland, she made the decision to remain close to home.

When asked about her decision to attend Northern Arizona University she responded, "Well, I like the campus and the coaches care a lot about the athletes."

The champion sprinter began her athletic career playing soccer in the 5th grade and continued into sports such as wrestling and track. Those early years playing sports led her to the state championship in the 400-meter run as a sophomore, in which she fondly remembers as her greatest memory as a runner since she had to come from behind to win it!

According to her 3-year high school sprint coach, Sophia Williams, "She

loves what she does (running) and she understands the importance of weight training and taking the speed & conditioning class offered at the high school, which is one of her greatest strengths."

Her dedication and commitment have launched her to the number one ranking in the 400- and 800-meter run for the Arizona Class 3A. Recently, she was invited, along with shot put and discus thrower, Dezbaa Whaley, to compete in a national track meet for high school track athletes in Arcadia, CA where she competed in the 400-meter run. Although, she finished 2nd in her heat she did not make the finals. However, she did run a personal best, 57.83 sec, and had an opportunity to compete with some of the best track athletes in the nation.

At NAU, she will have numerous opportunities to meet and compete with other nationally ranked athletes, such as Lopez Lomong. Mr. Lomong is an All-American in cross-country and track. He is currently the NCAA 3,000-meter Indoor Champion and

holds the NCAA's fastest time in the 800-meter run this year so Talia does have some mentors to look up to.

NAU also has the High Altitude Training Center, which has earned the designation from the U.S. Olympic Committee as an Olympic Training site, only one of nine in the U.S. According to the NAU website, NAU has hosted almost 5,000 athletes from 40 different countries so Talia will definitely have the best

opportunity to become the best athlete she can be

In a humble tone, Talia attributed her success to her mother, coach, and her belief in God. When asked what advice she would give to other aspiring young athletes, she responded, "Don't give up, work hard!" She is excited to go to NAU and plans to display her talents to the local youth with hopes of inspiring them to achieve higher levels of success.



Kayenta Burger King, The Largest Navajo Code Talkers Exhibit in the USA



It Just Tastes Better!

Four Locations to Serve You

Kayenta - Chinle - Shiprock - Burnside Junction



Phoenix Area Health Summit

"Taking Back Our Families"

July 24-26, 2007 | Scottsdale, AZ

*** FREE HEALTH SUMMIT ***



The summit examines the impact of methamphetamine on our families, community, and environment. There will be six conference tracks focusing on (1) mental health and behavioral health treatment, (2) collaboration, (3) family services, (4) Western states, (5) law enforcement, and (6) youth.

Who Should Attend?

Physicians, nurses, behavioral health providers, tribal health directors, tribal leaders, families, community members, and other health professionals are encouraged to attend.

How Do I Register for the Health Summit?

Register on-line at <http://www.ihs.gov/FacilitiesServices/AreaOffices/Phoenix/HealthSummit/> or contact Shannon Beyale at 602.364.5155. There is no registration fee.

Where Can I Stay?

Make your hotel reservations now to receive the summit room rates of \$74 single and \$84 double.

Chaparral Suites
5001 N. Scottsdale Road
Scottsdale, AZ 85250
1.800.528.1456

*Hotel Cut-off date
is June 23rd!*

ACCREDITATION The Indian Health Service (IHS) Clinical Support Center is accredited by the Accreditation Council for Continuing Medical Education to sponsor continuing medical education for physicians. The Indian Health Service Clinical Support Center is accredited as a provider of continuing nursing education by the American Nurses Credentialing Center's Commission on Accreditation.